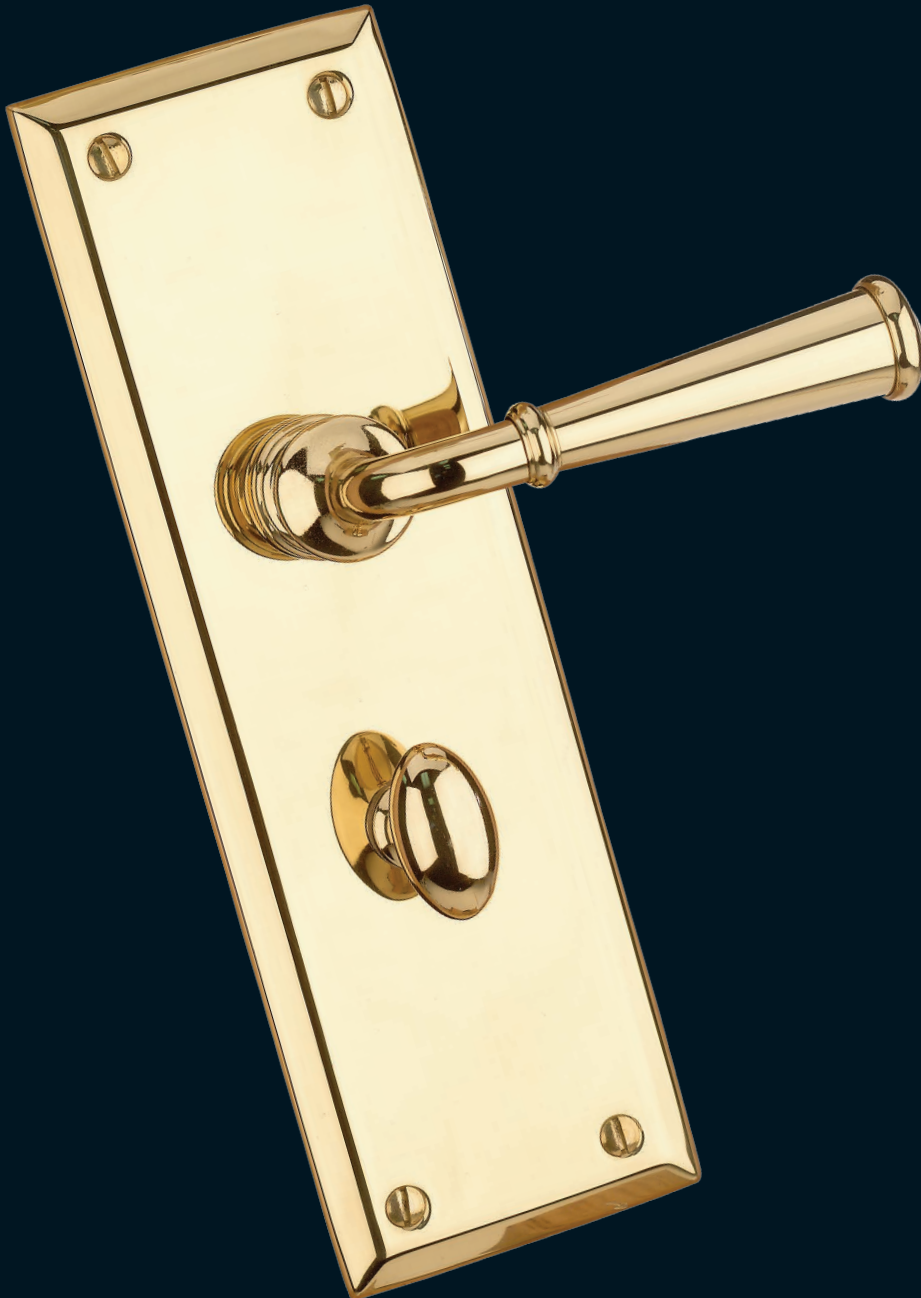


# Square Bevel



# SQUARE BEVEL HANDLESET



## Abington/Suare Bevel Handleset with Knob

*Handlesets are Made-to-Order		Standard	Distressed	ETERNA
973104	Abington Handlesets Entry	1512.43	1663.45	1837.33
973108	Abington Handleset Full Dummy	893.48	1003.26	1171.41

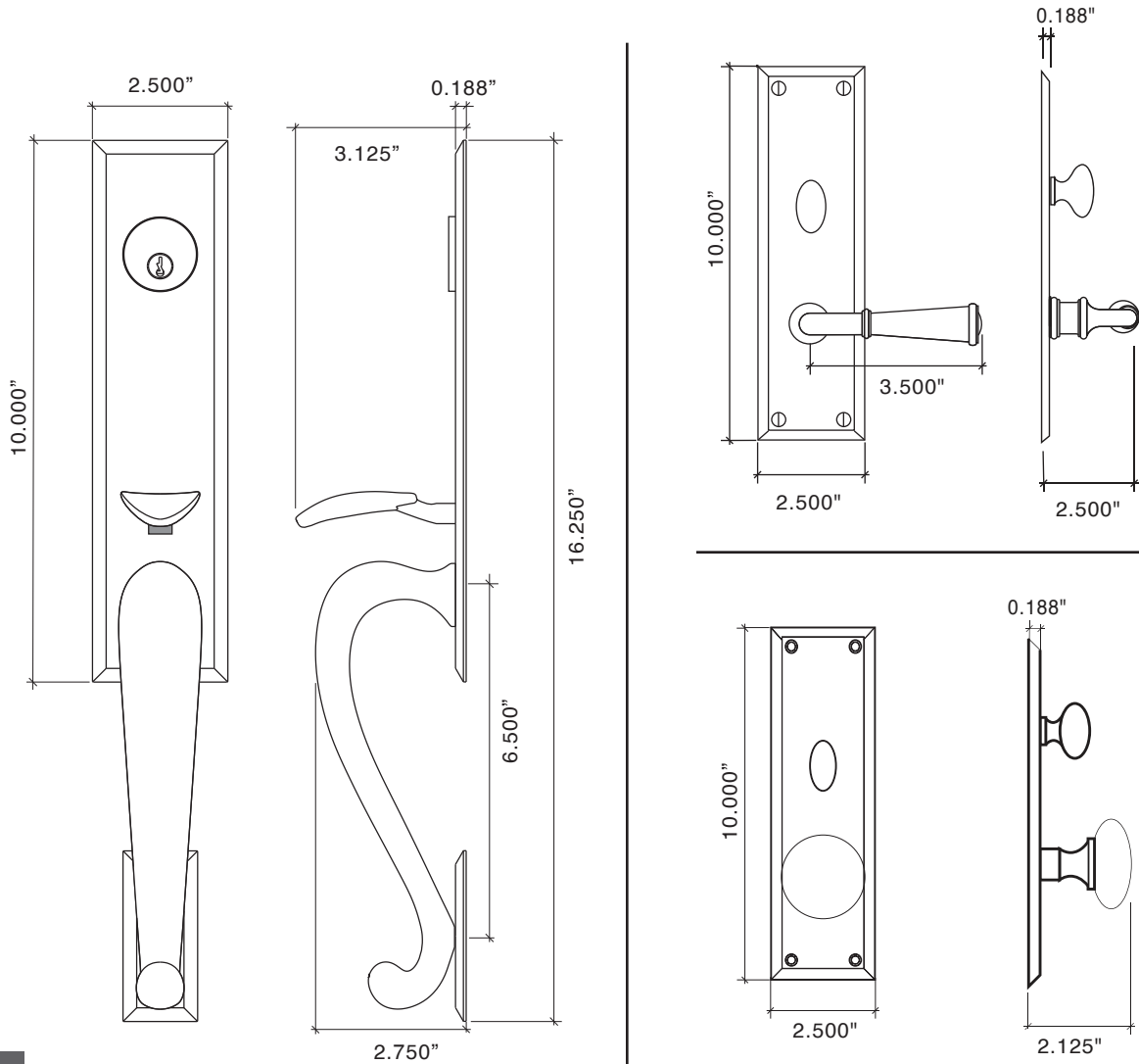
## Abington/Square Bevel Handleset with Lever

*Handlesets are Made-to-Order		Standard	Distressed	ETERNA
971104	Abington Handlesets Entry	1512.43	1663.45	11837.33
971108	Abington Handleset Full Dummy	893.48	1003.26	1171.41

## Abington/Square Bevel Handleset with Large Turned Lever

*Handlesets are Made-to-Order		Standard	Distressed	ETERNA
971104C	Abington Handlesets Entry, w Large Turned Lever	1532.72	1692.43	1861.16
971108C	Abington Handleset Full Dummy, w Large Turned Lever	913.77	1032.24	1195.24

All Prices in US Dollars - Prices Subject to Change Without Notice  
Please Check with Customer Service for Up to Date Pricing.



H2

Rev. 5/20

## Abington



Abington Handleset  
Exterior



Interior Lever

Shown with Small Turned Lever  
Large Turned Lever 8821C, Available



Interior Knob

### Interior Knobs



8800-225  
Large Mushroom  
Knob, Small Rose



8802-225  
Large Colonial  
Knob, Small Rose



8802-225  
Large Colonial  
Knob, Large Rose



8801-250  
Large Oval  
Knob, Large Rose

### Interior Levers



8820  
Traditional, Small Rose



8824  
Wave, Small Rose



8825  
Rat Tail, Small Rose



8828  
Leaf, Small Rose



8821  
Small Turned Lever, Small Rose  
*Also Available in a Large Lever 8821C*



8826  
Curved, Small Rose

- Solid Forged Brass Handleset with Thumb Latch and Square Bevel Plate

- Classic Design

- All Von Morris Knobs, Levers, and Escutcheon Sets are Available for Interior Trim



## Abington/Square Bevel Multi-Point Trim - American Cylinder

*Multi-Point Trim is Made-to-Order		Standard	Distressed	ETERNA
72101	Abington American Cylinder MP Active	1097.38	1223.60	1360.13
72102	Abington American Cylinder Full Dummy	773.43	906.35	1010.64
72103	Abington American Cylinder Passage	808.21	941.13	1045.42
72104	Abington American Cylinder Patio	884.98	1028.46	1169.63
72105	Abington American Cylinder Fixed			
	Ext./Active Int.	894.50	1027.42	1169.63



## Abington/Square Bevel Multi-Point Trim - Euro Profile Cylinder

*Multi-Point Trim is Made-to-Order		Standard	Distressed	ETERNA
71101	Abington European Profile Cylinder MP Active	1088.21	1236.23	1351.84
71102	Abington European Profile Cylinder Full Dummy	773.43	906.35	1010.64
71103	Abington European Profile Cylinder Passage	808.21	941.13	1045.42
71104	Abington European Profile Cylinder Patio	1036.31	1186.36	1303.58
71105	Abington European Profile Cylinder Fixed			
	Ext./Active Int.	894.50	1027.42	1169.63

All Prices in US Dollars - Prices Subject to Change Without Notice  
Please Check with Customer Service for Up to Date Pricing.



## Abington/Square Bevel Multi-Point Trim w Large Lever - American Cylinder

*Multi-Point Trim is Made-to-Order		Standard	Distressed	ETERNA
72101C	Abington American Cylinder, w Large Lever MP Active	1139.88	1156.62	1409.07
72102C	Abington American Cylinder, w Large Lever Full Dummy	815.94	956.58	1059.59
72103C	Abington American Cylinder, w Large Lever Passage	850.71	991.36	1094.36
72104C	Abington American Cylinder, w Large Lever Patio	927.49	1078.69	1214.71
72105C	Abington American Cylinder Fixed			
	Ext./Active Int., w Large Lever	937.01	1077.65	1180.66



## Abington/Square Bevel Multi-Point Trim w Large Lever - Euro Profile Cylinder

*Multi-Point Trim is Made-to-Order		Standard	Distressed	ETERNA
71101C	Abington European Profile Cylinder, w Large Lever MP Active	1130.71	1286.46	1400.78
71102C	Abington European Profile Cylinder, w Large Lever Full Dummy	815.94	956.58	1059.59
71103C	Abington European Profile Cylinder, w Large Lever Passage	850.71	991.36	1094.36
71104C	Abington European Profile Cylinder, w Large Lever Patio	1078.82	1236.60	1352.53
71105C	Abington European Profile Cylinder Fixed			
	Ext./Active Int., w Large Lever	937.01	1077.65	1180.66

## Abington Multi-Point Trim

Shown with Small Turned Lever



### Additional Lever Options

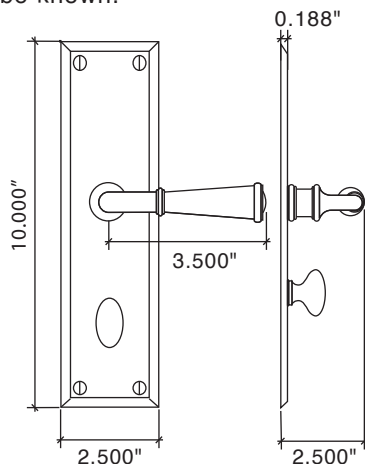


Von Morris Abington/Square Bevel Multi-Point lock trim is Custom Made to Order. Your trim will be crafted to the door specifications/details/measurements you provide.

In classic Von Morris style, paying exacting attention to detail, all Von Morris Escutcheon Plates may be modified to fit a multitude of Multi-Point Locks in either Euro Profile Cylinder or American Cylinder.

The Von Morris American Cylinder Multi-Point trim is different from other manufacturers. Von Morris has redesigned every aspect of the Multi-Point Trim, including the American Cylinder Mounting Blocks. Instead of one generic block mounted to all styles, each suite gets its own unique suited block. For Euro Profile Cylinder trims, the Turn Piece mounted to the Profile Cylinder is the same design as the trim.

Von Morris is the only mainline manufacturer to stay true to its suited line, offering the same attention to detail that is available in every Knob, Lever, Rose and Escutcheon Plate. This allows you to complete a full hardware schedule with the same style, detail, quality, and value for which the Von Morris product has come to be known.



- Solid forged brass with Turned Lever and Square Bevel Plate.
- Classic design.
- Adaptor for American cylinder block has the same detailing as rest of the Square Bevel Plate.
- Turnpieces for both American cylinder and European Profile cylinder share the same detailing as rest of Square Bevel suite.
- Abington Multi-Point Trim is also available with Traditional, Wave, Rat Tail, Curved and Leaf Levers.

Shown with Small Turned Lever

# SQUARE BEVEL ESCUTCHEON SETS



All Prices in US Dollars - Prices Subject to Change Without Notice  
Please Check with Customer Service for Up to Date Pricing.

## Small Abington Escutcheon Sets with Mushroom Knob

Entry Mortise		Standard	Distressed	ETERNA
91202	Abington Escutcheon Set w/Knob -Entry Mortise Set	881.64	956.98	1079.34
91208	Abington Escutcheon Set w/Knob -Entry Mortise Dummy	280.14	316.85	378.67
IML Mortise Sets				
81201	Abington Escutcheon Set w/Knob - IML Passage	491.37	542.25	629.83
81202	Abington Escutcheon Set w/Knob - IML Privacy	577.67	629.83	722.57
81203	Abington Escutcheon Set w/Knob - IML Bit Key	586.68	641.42	732.87
81204	Abington Escutcheon Set w/Knob- IML Single	635.67	696.81	799.85
81205	Abington Escutcheon Set w/Knob - IML Double	667.83	734.16	835.91
81206	Abington Escutcheon Set w/Knob - IML Patio Set	564.79	616.95	709.69
Tubular Latch Sets				
812014	Abington Escutcheon Set w/Knob - TL Passage, 2-3/4 BS	330.37	378.67	455.95
812018	Abington Escutcheon Set w/Knob - TL Passage, 2-3/8 BS	330.37	378.67	455.95
812024	Abington Escutcheon Set w/Knob - TL Privacy, 2-3/4 BS	366.44	414.74	488.15
812028	Abington Escutcheon Set w/Knob - TL Privacy, 2-3/8 BS	366.44	414.74	488.15
812022	Abington Escutcheon Set w/Knob - Privacy, (Passage TL with Mortise Bolt 2-3/8 BS)	433.41	502.32	614.38
Dummy Trim				
81207	Abington Escutcheon Set w/Knob - Single Dummy	138.78	157.14	188.05
81208	Abington Escutcheon Set w/Knob - Pair of Dummies	280.14	316.85	378.67



All IML Privacy and Tubular Mortise Bolt Privacy Sets come with ER Trim Standard on the Exterior. Exterior Bit Key Trim can be substituted for no additional charge.

## Small Abington Escutcheon Sets with Small Turned Lever

Entry Mortise		Standard	Distressed	ETERNA
91212	Abington Escutcheon Set w/Lever - Entry Mortise Set	879.70	964.71	1078.06
91218	Abington Escutcheon Set w/Lever - Entry Mortise Dummy	278.21	324.58	377.38
IML Mortise Sets				
81211	Abington Escutcheon Set w/Lever - IML Passage	489.44	549.98	634.98
81212	Abington Escutcheon Set w/Lever - IML Privacy	575.74	637.56	721.28
81213	Abington Escutcheon Set w/Lever - IML Bit Key	584.75	649.15	731.58
81214	Abington Escutcheon Set w/Lever - IML Single	633.70	704.54	798.56
81215	Abington Escutcheon Set w/Lever - IML Double	665.90	741.89	834.62
81216	Abington Escutcheon Set w/Lever - IML Patio Set	562.86	624.68	708.40
Tubular Latch Sets				
812114	Abington Escutcheon Set w/Lever - TL Passage, 2-3/4 BS	328.44	386.40	454.66
812118	Abington Escutcheon Set w/Lever - TL Passage, 2-3/8 BS	328.44	386.40	454.66
812124	Abington Escutcheon Set w/Lever - TL Privacy, 2-3/4 BS	364.50	422.46	486.86
812128	Abington Escutcheon Set w/Lever - TL Privacy, 2-3/8 BS	364.50	422.46	486.86
812122	Abington Escutcheon Set w/Lever - Privacy, (Passage TL with Mortise Bolt 2-3/8 BS)	431.48	510.05	613.09
Dummy Trim				
81217	Abington Escutcheon Set w/Lever - Single Dummy	137.82	161.00	187.40
81218	Abington Escutcheon Set w/Lever - Pair of Dummies	278.21	324.58	377.38

## Abington Escutcheon Sets



Abington Escutcheon with Small Turned Lever and Turnpiece

Abington Escutcheon with Large Mushroom Knob and Turnpiece

All Escutcheon Sets available in: Entry Mortise, Interior Mortise, Tubular Latch and Dummy Trim

Plates can be cut for Passage, Privacy, Bit Key, Single/Double Cylinder and IML Patio

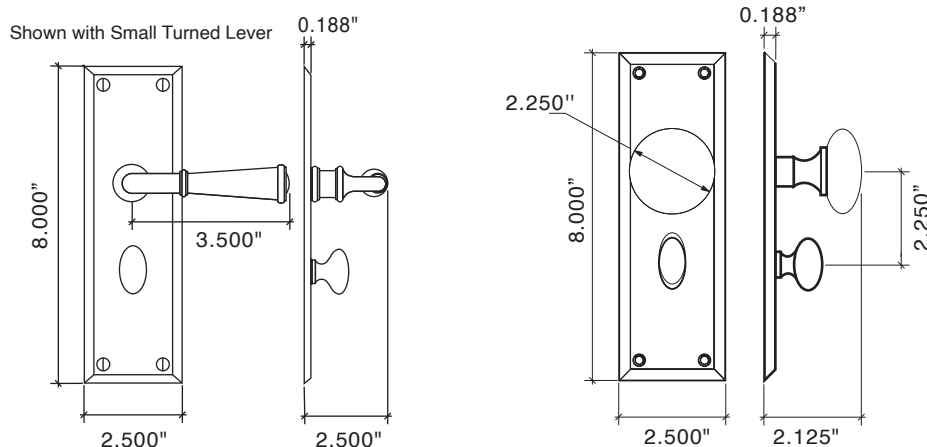
### Interior Knobs



### Interior Levers



- Classic Square Bevel Design
- Forged Brass Escutcheon Inside and Outside
- Solid Forged Brass Lever
- Hand Polished
- Plates available with Cuts for all Von Morris Locks as well as Custom Cuts for other Manufacturers' Locks





All Prices in US Dollars - Prices Subject to Change Without Notice  
Please Check with Customer Service for Up to Date Pricing.

## Abington Pocket Door - Complete Sets

Entry Mortise		Standard	Distressed	ETERNA
8284190	Abington Pocket Door Passage Set	702.50	790.87	913.79
8284191	Abington Pocket Door Privacy Set	671.59	757.37	881.59
8284192	Abington Pocket Door Bit Key Set	659.44	718.91	878.37
8284193	Abington Pocket Door Single Cylinder Set	705.71	794.45	913.49
8284194	Abington Pocket Door Double Cylinder Set	709.03	798.04	913.19
8284195	Abington Pocket Door Non-Latching Passage Set	608.48	692.97	810.75
8284196	Abington Pocket Door Patio Set	671.59	757.37	881.59
8284197	Abington Pocket Door Edge Pull Set	572.41	658.19	772.11

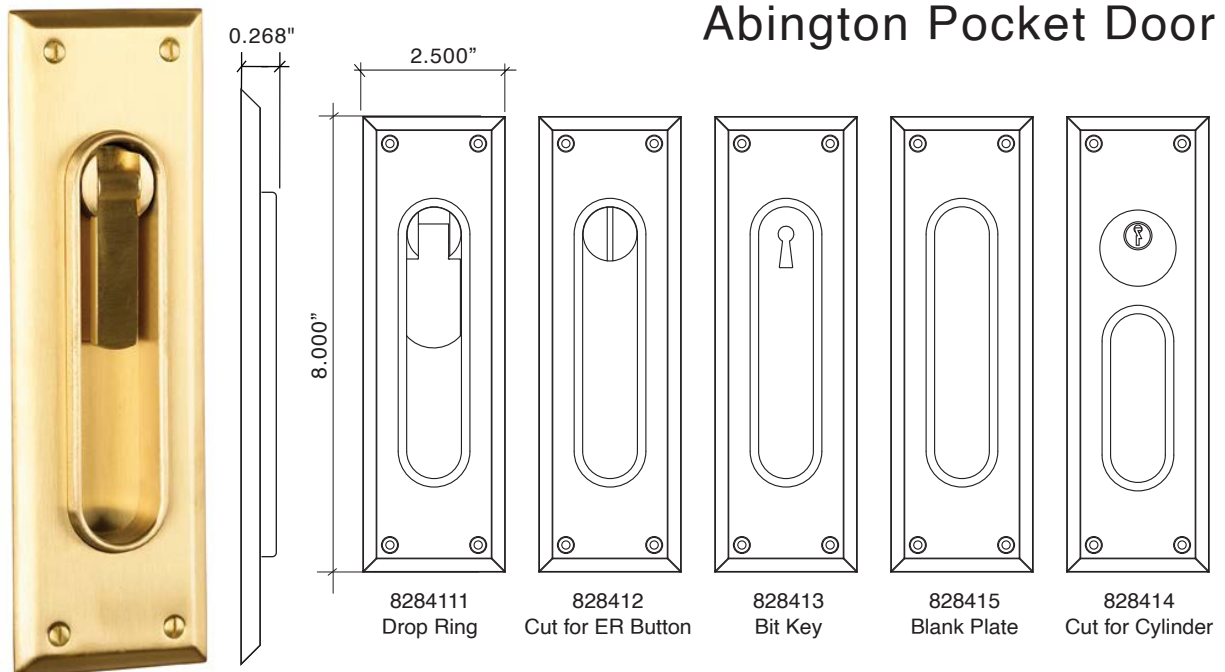
All IML Privacy and Tubular Mortise Bolt Privacy Sets come with ER Trim Standard on the Exterior. Exterior Bit Key Trim can be substituted for no additional charge.



## Pocket Door Locks

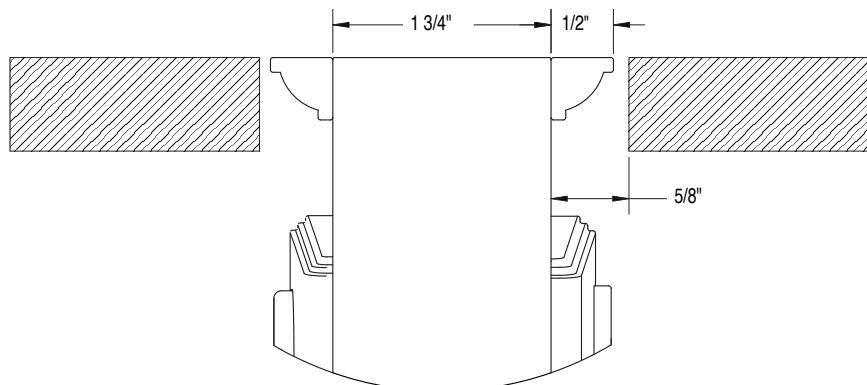
		Standard	Distressed	ETERNA
9200	Active Pocket Door Lock w/Dust Proof Strike	177.74	185.47	212.52
9201	Dummy Pocket Door Lock w/Built in Dust Proof Strike	145.54	164.86	173.88
9202	Edge Pull	109.48	119.78	135.24
92004	Dustproof Strike	20.29	22.91	23.74





- Classic Square Bevel Design
- Solid Forged Brass Plate
- Solid Forged Brass Finger Pull
- Hand Polished
- Plates available in Five Options:
  - Drop Ring
  - ER Button
  - Cut for Cylinder
  - Bit Key
  - Blank
- Suited Pocket Door Hardware is Made-to-Order, Non cancelable once ordered, and Non-Returnable
- Plates are Surface Mounted
- Minimum Door Thickness 1 3/4"
- Requires 1/2" to 5/8" of clearance at the pocket.

Because Von Morris's Suited Pocket door plates are surface mounted, a slight bit of additional door preparation is required. At the nose and rear edge of the door, minimum one half inch thick moldings must be applied to both faces of the door. The trim surrounding the pocket must be a minimum of 5/8" from the face of the door. Minimum door thickness is 1 3/4".





## Swarthmore Screen Door - Complete Sets

Stainless Steel Lock Sets		Standard	Distressed	ETERNA
8010/9001	Swarthmore SS Screen Door Lock Set w/Traditional Lever	290.15	304.90	350.95
8017/9001	Swarthmore SS Screen Door Lock Set w/Rat Tail Lever	290.15	304.90	350.95
8018/9001	Swarthmore SS Screen Door Lock Set w/Curved Lever (Handed)	290.15	304.90	350.95
Full Dummy Sets				
8010FD	Swarthmore Full Dummy Lock Set w/Traditional Lever	221.33	232.89	269.45
8017FD	Swarthmore Full Dummy Lock Set w/Rat Tail Lever	221.33	232.89	269.45
8018FD	Swarthmore Full Dummy Lock Set w/Curved Lever (Handed)	221.33	232.89	269.45
Escutcheons				
8010KN	Swarthmore Outside Escutcheon	46.60	49.02	56.73
8010KT	Swarthmore Inside Escutcheon	59.90	63.03	72.93



All Prices in US Dollars - Prices Subject to Change Without Notice  
Please Check with Customer Service for Up to Date Pricing.

## Screen Door Parts and Accessories

		Standard	Distressed	ETERNA
80015	Screen Door Latch Strike Plate	11.65	12.24	14.18
90002	Screen Door Latch Face Plate	9.99	10.50	12.16
80003	Screen Door Traditional Lever	46.60	49.02	56.73
80004	Screen Door Round Knob	48.27	50.77	58.75
80005	Screen Door Oval Knob	48.27	50.77	58.75
80007	Screen Door Rat Tail Lever	46.60	49.02	56.73
80008	Screen Door Curved Lever (Handed, Please Specify)	46.60	49.02	56.73
9000TDK	Thick Door Kit	60.78	63.68	70.91
90004	Extended Strike for Screen Door	13.44	14.01	16.20
9904	Screen Door Active Screw Pack	10.82	11.39	13.18
9905	Screen Door Dummy Screw Pack	7.50	7.88	9.12

## Swarthmore Screen Door Trim



Outside Trim for  
8010/9001



8017/9001  
Rat Tail Lever

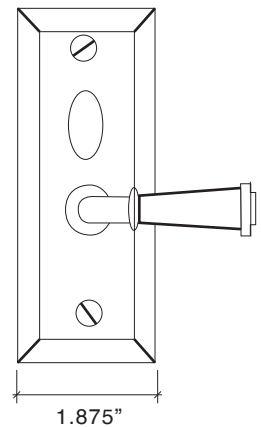
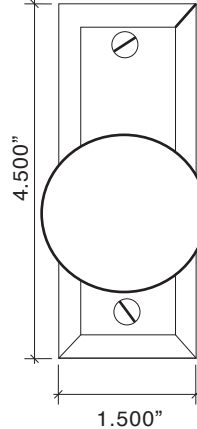
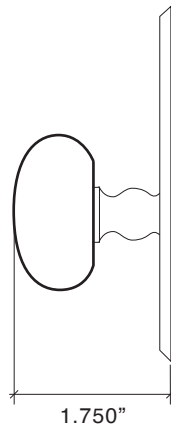


8018/9001  
Curved Lever



8010/9001  
Traditional Lever

- Handsome Heavy 1.75" Diameter Forged Brass Knob Outside
- Elegant Solid Brass Inside
- Heavy Wrought Brass Escutcheons Inside and Out



## Screen Door Latches



### Screen Door Latches

		Standard	Distressed	ETERNA
9001	Stainless Steel Screen Door Latch	108.17	109.60	114.39
			Mill	
9001-009	Stainless Steel Screen Door Latch (No Faceplate or Strike)		86.82	



## Oblong Square Bevel Bell Push

		Standard	Distressed	ETERNA
256-7001	Square Bevel Bell Push	225.40	257.60	287.22

All Prices in US Dollars - Prices Subject to Change Without Notice  
Please Check with Customer Service for Up to Date Pricing.

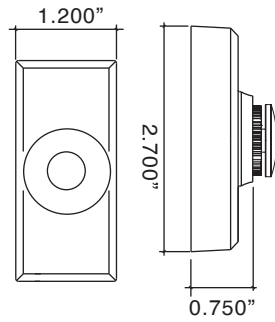


## Square Bevel/Abington Tilt-Turn Trim

		Standard	Distressed	ETERNA
700120	Square Bevel/Abington Tilt-Turn with Traditional Lever	250.07	269.19	297.53

All Prices in US Dollars - Prices Subject to Change Without Notice  
Please Check with Customer Service for Up to Date Pricing.

## Square Bevel Oblong Bell Push

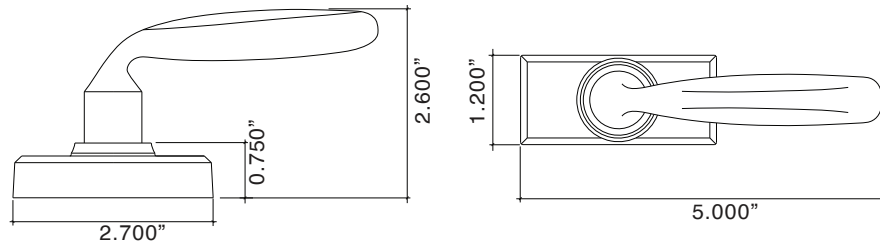


- Solid Forged Brass
- Oblong Square Bevel Design Trim
- Fully Concealed Mounting
- Super Bright White LED Illuminated Push Button

## Square Bevel/Abington Tilt-Turn Trim



- Solid Forged Brass Traditional Lever
- Fully Concealed Mounting Square Bevel Cover



### Additional Lever Options



8820  
Traditional, Small Rose



8824  
Wave, Small Rose



8825  
Rat Tail, Small Rose



8826  
Curved, Small Rose



8828  
Leaf, Small Rose



8821  
Small Turned Lever, Small Rose  
*Also Available in a Large Lever 8821C*



## Small Abington Escutcheon Components

		Standard	Distressed	ETERNA
84117	Abington Entry Cut for Cylinder	65.69	77.28	92.74
84118	Abington Entry Cut for Turn w/Turn	91.45	106.90	133.95
84119	Abington Entry Cut for Knob	65.69	77.28	92.74
84115	Abington Blank Push Plate	65.69	77.28	92.74
84100	Abington Cut for Knob	65.69	77.28	92.74
84110	Abington Cut for Turn (Oval TP Standard, Bit Key Head can be Specified)	91.45	106.90	133.95
84111	Abington Cut for ER	65.69	77.28	92.74
84112	Abington Cut for Bit Key	65.69	77.28	92.74
84113	Abington Cut for Cylinder	65.69	77.28	92.74
84116L	Abington Cut for Priacy Pin, Left	65.69	77.28	92.74
84116R	Abington Cut for Priacy Pin, Right	65.69	77.28	92.74

All IML Privacy and Tubular Mortise Bolt Privacy Sets come with ER Trim Standard on the Exterior. Exterior Bit Key Trim can be substituted for no additional charge.

All Prices in US Dollars - Prices Subject to Change Without Notice  
Please Check with Customer Service for Up to Date Pricing.